

# Infant Incubator

Model:111



# Infant Incubator 111

## Incubator for warming and intensive care of new born babies

The preterm birth the most difficult start into our world and a challenge for the physicians, nursing, staff and parents. Day by day they do their utmost to facilitate the baby's ongoing health.

The incubator 111 helps to achieve this aim. It combines the climate stability of a closed ambience with increased access and contact possibilities offered by open care systems.

In the majority of cases preterm babies can stay in the incubator in the first few months of their lives. Therefore a calm environment is an important factor for their future development. An optimum air flow guide system minimises the generation of noise in the incubator 111.



### Always the right climate

Air and skin temperature, humidity and oxygen concentration are selected according to the baby's needs and are servo controlled. A brand-new air flow technique warms the patient evenly by minimising the transepidermal humidity loss.

### Ergonomic design / Baby Access

The perspex double-wall assembly has four large hand port windows which can be opened quickly and easily by pressing the unlocking mechanism (also with disinfected hands). It is possible to open both hand port windows by one central pressing.

### Control Panel

Innovative technology controls and monitors the selected values of air and patient temperature also humidity. The selected parameters and measured values are indicated and clearly structured with a display.

Control panel enables you to display the following parameters:

- Air Temperature
- Skin Temperature
- Humidity control
- Alarms

### Temperature Adjustment



Air Temperature

20° ~ 37°



Skin Temperature

20° ~ 37°

### Heat control

Using the latest technologies, the time to reach the target temperature has been reduced to less than one minute.

Also, infant chamber temperature fluctuations have been minimized with respect to ambient temperature changes.

Temperature adjustment interval for incubator air & skin temperature is between 20 ~ 37 ° C and incubator temperature display interval is between 15 ~ 40 ° C.

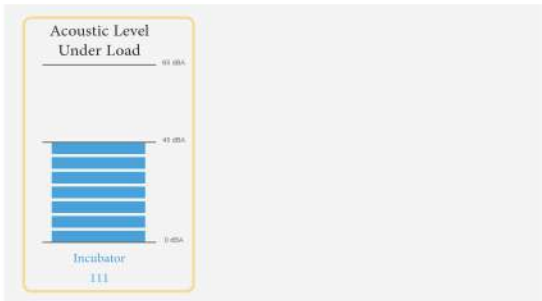
### High adjustment

During care it is important to be able to adjust the appropriate height of the incubator hence by pushing the pedals on the front bottom side, the incubator height can be adjusted between 70 ~ 100 cm.



# Infant Incubator 111

## Convenient, safe, reliable



### Compartment noise

Ultra low noise level (less than 50 dB) inside the compartment utilizing the latest technology in the world to design air circulation path



### Tilting patient pad

By turning the wheels to the right or left, the patient pad can be adjusted into head-up or head-down position.

The inclination angel is between 0 ~ 30 degree



### Built in convenient storage

During care it is important to have necessary items available at all times. The four drawers of the incubator are accessible easily from front sides and in every situation.



### Castors

Sturdy smooth castors provide a stable position of the incubator and allow easy movement. One castor is fitted with a steering lock which allows maneuvering around corners and furniture.



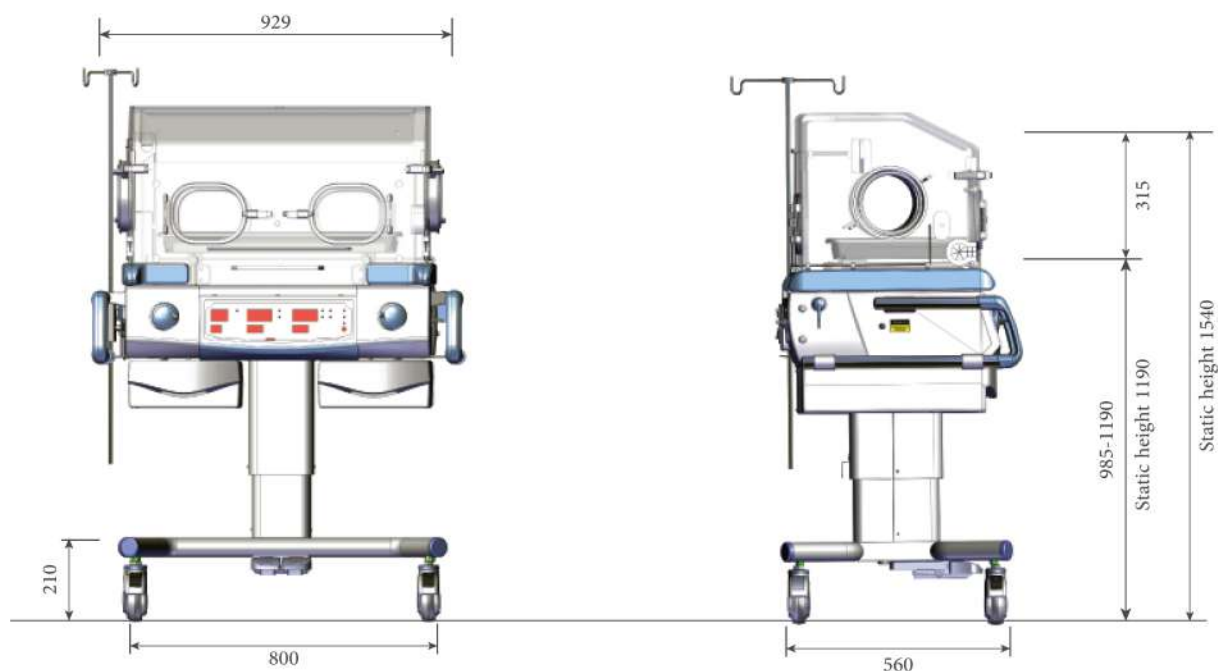
### Puuled out pation pad

For special treatments the patient pad can be pulled out completely



## Additional Specification

Dimensions and weight	Weight	90 Kg
	Dimension of patient deck	340 * 600 mm
	Height of patient deck	985-1190 mm
Alarms	Air sensor error	Audio and visible
	Skin sensor error	Audio and visible
	Air circulation interruption	+/- 1°C
	Power supply interruption	Audio and visible
	Temperature deviation	Audio and visible
	Low battery	visible
	Empty water reservoir	Audio and visible
Operating parameters	Skin Temperature	28 to 37.5 C
	Air Temperature	20 to 37 C Override to 39 C
	Temperature resolution	0.1 C
	Humidity Sensor controlable range	30 -90% RH
	Humidity resolution	0.1 C
	Internal noise level	Less than 48 dB
	Warm-up time	30 minutes
	Disposable filter	
Electrical parameters	Voltage	220V-2.5 A
	Energy consumption	550W
Classification according to Directive 42/93/EEC		



**Head Office:** First south floor, Chehelsotoon Building, north Allameh, Saadat Abad, Tehran, IRAN

**Telephone:** (+98-21)22097416-7

**Fax:** (+98-21) 22362814

**Web:** [www.tosanco.com](http://www.tosanco.com)  
**E-mail:** [info@tosanco.com](mailto:info@tosanco.com)



Manufacture & Supply of Neonatal System

# Transport Incubator

## Model:320



# Infant transport Incubator 320

## Incubator for warming and intensive care of new born babies during transporting

The transport preterm birth from one hospital to another is the most difficult start into our world and a challenge for the physicians, nursing, staff and parents. Day by day they do their utmost to facilitate the baby's ongoing health.

The transport incubator 320 helps to achieve this aim. It combines the climate stability of a closed environment with increased access and contact possibilities offered by open care systems.

In the majority of cases preterm babies can stay in the transport incubator in the first few months of their while need to transport. Therefore a calm environment is an important factor for their future development. An optimum air flow guide system minimizes the generation of noise in the portable



### Always the right climate

Air and skin temperature are selected according to the baby's needs and are servo controlled. A brand-new air flow technique warms the patient evenly by minimizing the transepidermal humidity loss.



### Monitor / operator terminal

Innovative technology controls and monitors the selected values of air and patient temperature oxygen concentration. The selected parameters and measured values are indicated and clearly structured with a graphic display. 4.3 inch graphics display with touchscreen that enables you to display the following parameters:

- Air & Skin Temperature
- Battery life & Charge level
- Alarms
- Cabin lighting
- Phototherapy
- Setting

### Temperature Adjustment



20° ~ 37°



20° ~ 37°

### Heat control

Using the latest technologies, the time to reach the target temperature has been reduced to less than one minute.

Also, infant chamber temperature fluctuations have been minimized with respect to ambient temperature changes.

Temperature adjustment interval for incubator air & skin temperature is between 20 ~ 37 ° C and incubator temperature display interval is between 15 ~ 40 ° C.

### Ergonomic design / Baby Access

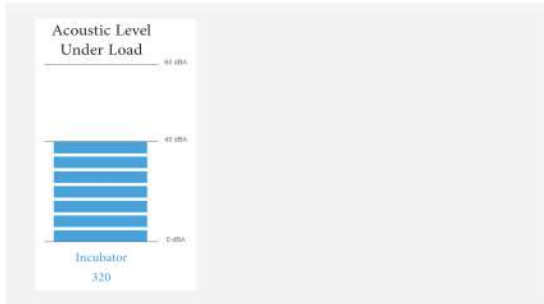
The front and rear doors are easily open for easy access to the baby and stabilized in place after 90 degrees of rotation also the front and rear doors has four large hand port windows which can be opened quickly and easily by pressing the unlocking mechanism (also with disinfected hands). It is possible to open both hand port windows by one central pressing.





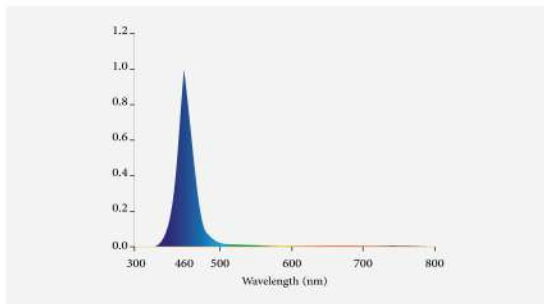
# Infant Transport Incubator 320

## Convenient, safe, reliable



### Compartment noise

Ultra low noise level (less than 50 dB) inside the compartment utilizing the latest technology in the world to design air circulation path



### Phototherapy

Portable Incubator 320 has a phototherapy system for treating neonatal jaundice under 18 mg in the hospital, during transport, or in an ambulance.

- Wavelength of 450 nm
- Power of 12 watts
- life of 30 thousand hours.



### Lighting inside the compartment

The LED light bulb with 3000 kW power of 2 watts is used in portable incubator 320.

These lamps have natural brightness for the treatment of infants, which can also show the true color of the baby's skin in the dark.



### oxygen tank

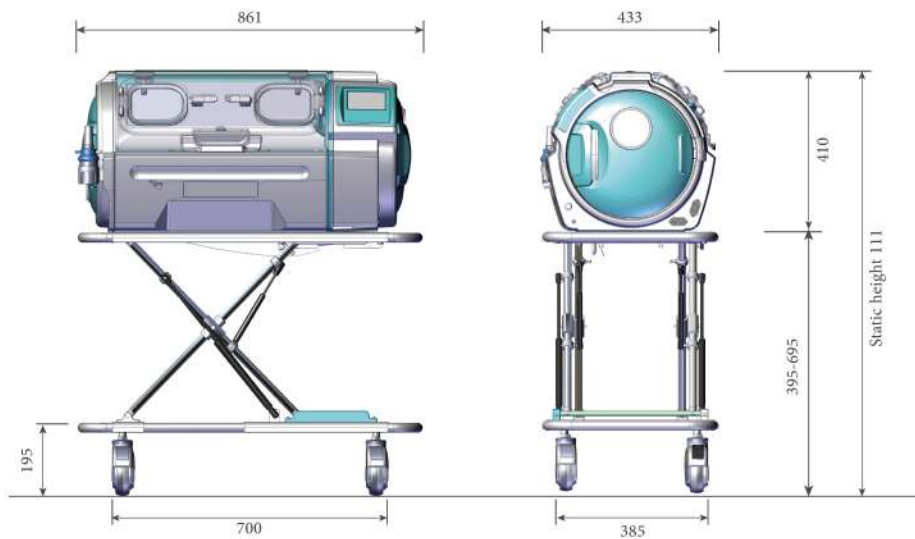
The incubator uses three different types of power supply for different conditions.

- AC power supply
- Built-in battery
- 12V DC External Power Supply.

All 3 power supply models meet EMC standards.

## Additional Specification

Dimensions and weight	Weight	41 Kg
	Dimension of patient deck	300 * 500 mm
Alarms	Air sensor error	Audible and visible
	Skin sensor error	Audible and visible
	Air circulation interruption	Audible and visible
	Power supply interruption	Audible and visible
	Temperature deviation	Audible and visible
	Low battery	Audible and visible
Operating parameters	LCD touch screen	3 inch touchscreen graphics display
	Oxygen tank	2 liter
	Intelligence battery	3 hours to fully charge the battery
	Air temperature	28 - 37°c
	Skin temperature	33 - 38.5°c
	Inside noise level	< 40dB
	Cabin light	3000 KW 2W
Phototherapy	450nm 12W	
Electrical parameters	Voltage AC Power & Energy consumption	100-120 VAC 50-60 Hz 177 W
	Voltage AC Power & Energy consumption	200-240 VAC 50-60 Hz 177 W
	Voltage DC(EMS) & Energy consumption	12 VDC 150 W
Classification according to Directive 93/42/EEC		



**Head Office:** First south floor, Chehelsotoon Building, north Allameh, Saadat Abad, Tehran, IRAN

**Telephone:** (+98-21) 22097416-7

**Fax:** (+98-21) 22362814

**Web:** [www.tosanco.com](http://www.tosanco.com)  
**E-mail:** [info@tosanco.com](mailto:info@tosanco.com)