



Manufacture & Supply of Neonatal System

Infant Baby Bed

Model:033



Infant Baby Bed 033

Convenient, safe, reliable

Infant bed model 033 is specifically designed for infants in hospital. The clear partition of each side of the bed makes it easier for the nurse to observe and watch the infant from a short distance. In addition, the bed is very easily maneuvered because of the wheels on each side and the infant is at reaching distance. Furthermore, the base of the bed can adjust to a 12-degree angle.



Tilting patient pad

During care, it is important that the base of the bed can adjust. The Tosan infant base bed can adjust to a 12-degree angle.

Pulled out patient pad

For special treatments, the patient pad can be pulled out completely.



Built-in convenient storage

During care, it is important to have necessary items available at all times. The one basket of the infant bed is accessible easily from front sides and in every situation.



Castors

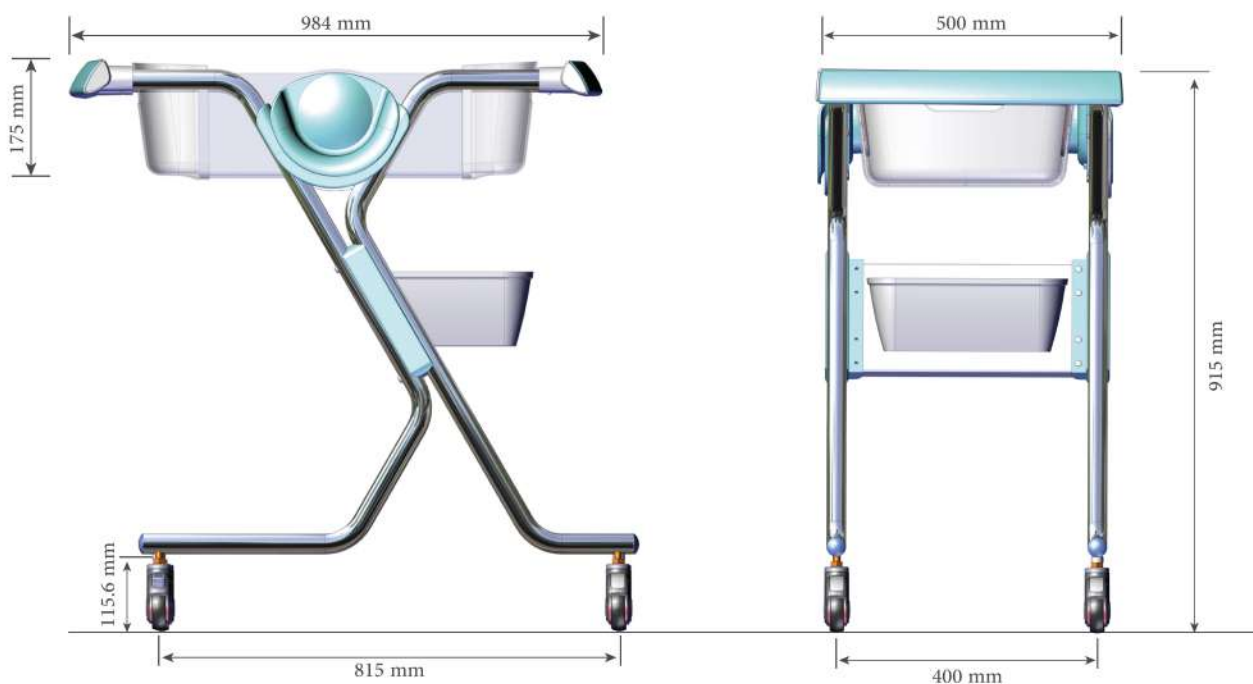
Sturdy smooth castors provide a stable position of the infant baby bed and allow easy movement. Two castors are fitted with a lock.

Infant Baby Bed 033

Convenient, safe, reliable

Additional Specification

Dimensions and weight	Dimension of patient deck	66 * 30 Cm
	Height of patient deck	17.5 Cm
	Weight	15.5 Kg
	Lenght	98.4 Cm
	Width	50 Cm
	Height	91.5 Cm
Available Option	Basket	
Classification according to Directive 42/93/EEC		



Head Office: First south floor, Chehelsotoon Building, north Allameh, Saadat Abad, Tehran, IRAN

Telephone: (+98-21)72965000

Fax: (+98-21) 22362814

Web: www.tosanco.com
E-mail: info@tosanco.com

Manufacturer Of Neonatal System

Tosan
توسان

Neonatal Cot

Model's: 031, 032

