



Infant Radiant Warmer

Model:083

Infant Radiant Warmer 083

The infant care system for postnatal care, resuscitation and intensive care

During the first hours and days of life, new born and premature infants primarily need warmth, comfort and closest possible contact to their parents. The Infant Radiant Warmer 083 has been developed for these very specific conditions and offers unimpeded access for diagnostic and therapeutic measures as well as care treatments.



Always the right climate

Skin temperature, are selected according to the baby's needs and are servo controlled. A Ceramic heating elements with high-performance reflector for quick heating technique warms the patient evenly by minimising the transepidermal humidity loss.



Control Panel

Innovative technology controls and monitors the selected values of air and patient temperature also suction. The selected parameters and measured values are indicated and clearly structured with a display. Control panel enables you to display the following parameters:

- Air Temperature
- Skin Temperature
- Air Flow
- Suction
- Alarms



Heat control

Using the latest technologies, the time to reach the target temperature has been reduced to less than 10 minute.

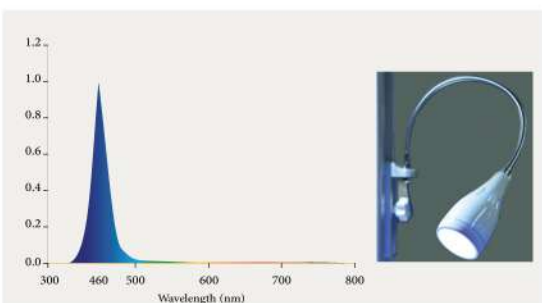
Also, infant ambient temperature fluctuations have been minimized with respect to ambient temperature changes.

Temperature adjustment interval for infant warmer skin temperature is between 20 ~ 37 ° C and infant warmer temperature display interval is between 15 ~ 40 ° C.



Gentle soft-lift height adjustment

Depending on the device model the height of the patient deck can be adjusted smoothly and is operated with foot pedals. The smooth movement does not startle the baby maintaining comfort.



High-performance phototherapy

The radiant warmer can optionally be upgraded with high performance phototherapy. The Tosan LED Phototherapy assures remarkably high radiation intensities within the ideal wavelength of fixed 460 nm, 12 watts power also a lifespan of 30,000 hours which provided 32 μ w/cm².nm intensity. It herby is suitable for treatment of infant jaundice below 18 mg/dl. It will be put on a mobile stand for a more flexible use. Because of the low heat generation, the device can also be used at decreased distances from the babies. Even with high distance between phototherapy device and patient, a high intensity can be guaranteed.

Infant Radiant Warmer 083

Convenient, safe, reliable

Gentle warming

Longwave infrared radiation is not visible and takes smooth effect on the epidermis, the subjacent dermis and the bloodstream. The integrated high-performance reflector spreads the infrared radiation efficiently and evenly all over the patient deck. The intensity of the infrared radiation is precisely adjustable in Celsius. The radiant warmer is with patient temperature control. Radiant warmer integrated countdown timer give indication of facilitate close recording of the patients' development.



Homogeneous illumination

For treatment of small patients, the best light is just enough. The light's colour temperature of 4000 Kelvin guarantees an excellent appearance and is suitable for examinations and minor operations.

Focus on the patient

The patient deck can be tilted up and down by one hand. Each Position Radiation ensures an optimum warming comfort with the patient remaining below the radiant warmer. The baby is never exposed to temperature fluctuations. Moreover, the distance of the patient to connected monitors or devices remains the same in any position. Therefore an unintended detachment of pipes and hoses is prevented.

Functional wall assembly

The walls of the Infant Radiant Warmer 083 can be folded up and down by one hand. Cables and hoses can be passed and fixed through openings or grommets easily. Wall assembly by 170 mm high, three sides can be folded down.

Built in convenient storage

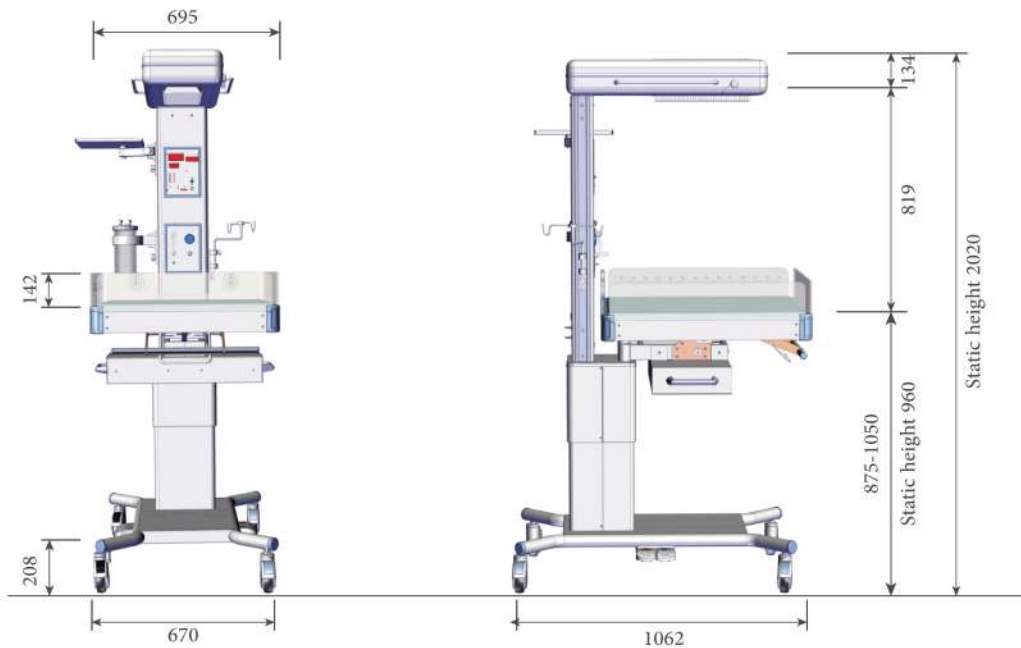
During care it is important to have necessary items available at all times. The two drawers of the Infant warmer are accessible easily from sides and in every situation.

Castors

Sturdy smooth castors provide a stable position of the infant warmer and allow easy movement. One castor is fitted with a steering lock which allows maneuvering around corners and furniture.

Additional Specification

Dimensions and weight	Weight	135 Kg
	Dimension of patient deck	780*680 mm
	Height of patient deck	875-1050 mm
Alarms	Skin sensor error	
	Skint temperature overheat	
	Temperature set deviation	+/- 2 C
	Power failure	
	Low Battery	
Operating parameters	Mechanical tray tilting	Up to 12 degree front and rear
	Heat power indicator	10% to 100%
	LED Lamps	2 * 10 Watt
	Temperature range	28 C to 39.3 C
	Controlable temperature range	28 C to 37 C
Electrical parameters	Voltage	200-240 V
	Max. power input (with max. power to sockets)	1100 W
Facility	Monitor tray	
	Radiology cassette	
	Rotary head while radiology	
	Adjustable oxygen flow	
	Adjustable suction vacume	
Classification according to Directive 93/42/EEC		



Head Office: First south floor, Chehelsotoon Building, north Allameh, Saadat Abad, Tehran, IRAN

Telephone: (+98-21) 22097416-7

Fax: (+98-21) 22362814

Web: www.tosanco.com
E-mail: info@tosanco.com